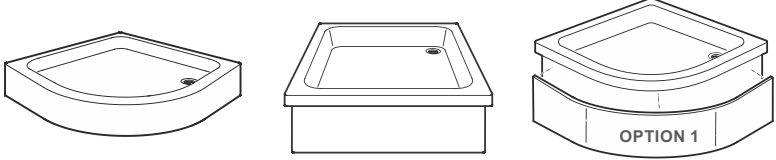
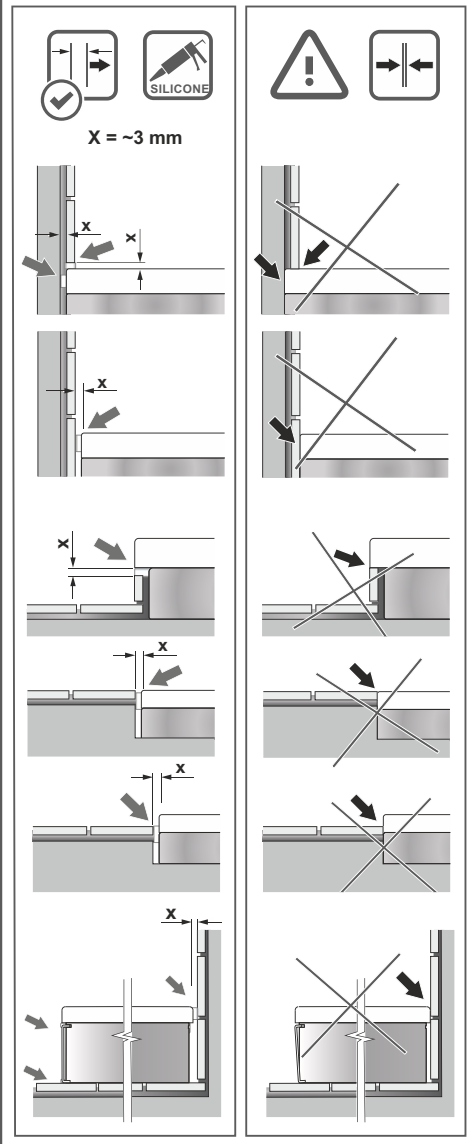
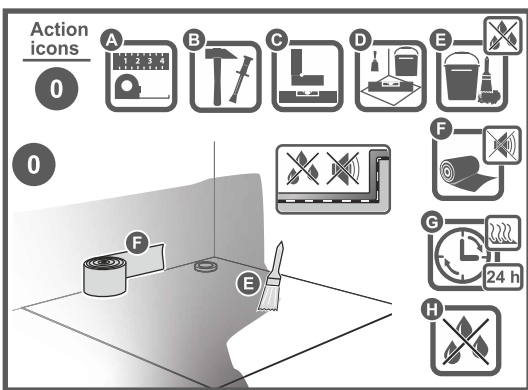
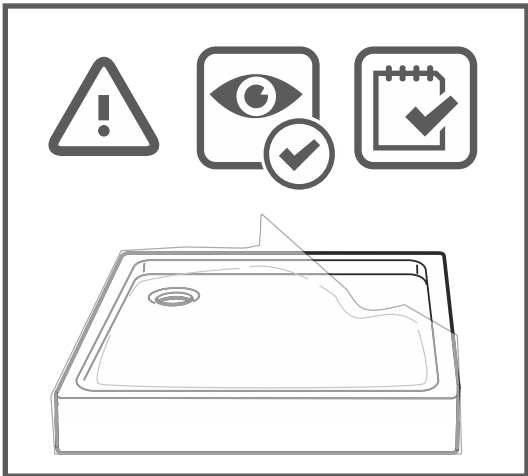


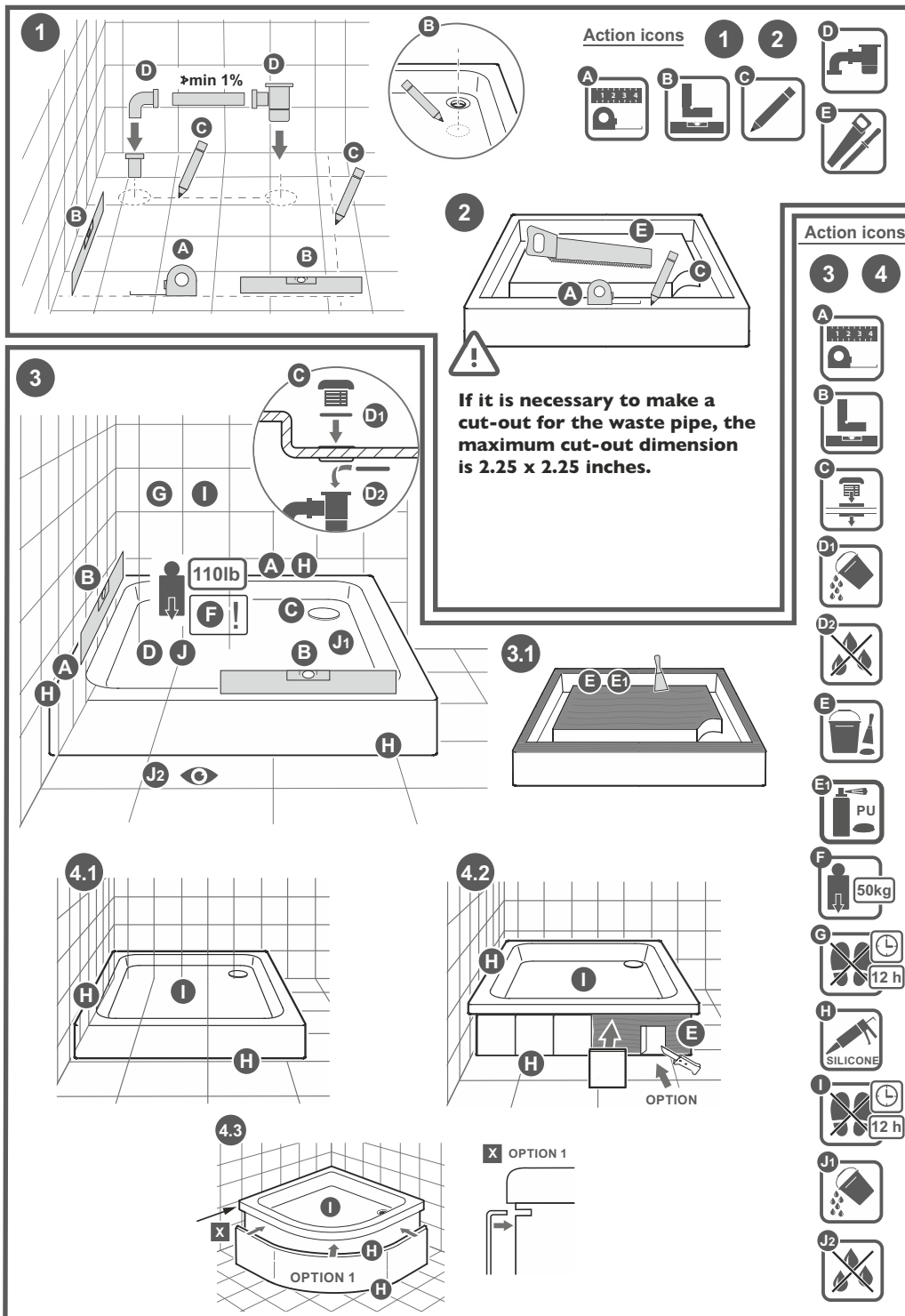
Installation instructions



usa02.2022



The mounting surface must be clean, even, stable, and not cracked. The place of installation of the shower tray and drainage system should be properly sealed, e.g. with a liquid foil. This prevents flooding of the in the event of leakage of the drain.



EN: Proper Product Care:

- During installation and completion work ensure the entire acrylic surface is properly protected against dirt or damage.
- Avoid direct flame in the vicinity of acrylic and polystyrene/polyurethane base.
- Avoid contact of acrylic material with any varnishes, nail polish removers, solvents, or lite cigarettes.
- Avoid strong heat or light sources in vicinity of acrylic surface,
- Do not wash with any abrasive agents or flannels. Avoid scrubbing. We recommend using a soft cloth or sponge.
- Acrylic surface should be cleaned using agents designed for acrylic and plastics (for sanitary applications) or water with soap or ordinary dishwashing liquid. Deposits of calcium should be wiped off with a solution of water with wine vinegar. Gentle chemical agents, not containing strong acids (like e.g. hydrochloric acid or tartaric acid), bases, solvents and chlorine compounds (agents containing chlorine solution for bleaching) can be used as well. Do not apply any gels and milks.
- To avoid scale build up, when filling up shower-tray or bathtub, start with cold or tepid water.
- Upon completion of taking a shower one should rinse the surface of the shower-tray/bathtub and then wipe them with damp cloth.

Note: Before using any cleaning agent, it should be tested in an inconspicuous place to make sure that the agent is safe. Cleaning agents based on alcohol and derivatives may leave a permanent bloom on the surface of the paddling pool.

EN: Anti-skid coatings

- Do not use chemicals containing strong acids, alcohols or solvents (aggressive descalers, alcohol-based disinfectants), as they can damage the coating. If this type of substance comes into contact with the coating, rinse the surface immediately with plenty of water.
 - Do not apply strong acids such as hydrochloric acid, sodium hydroxide, chlorine oxide or amines directly on the surface.
 - Do not use abrasive cleaning agents or instruments that may damage the coating (kitchen sponge, metal wool, abrasives, etc..)
 - Avoid contact of the coating with hair color products, dyes etc. as they may discolor the surface.
- Note: The coating must not be submerged in water longer than the normal timing for bathing.